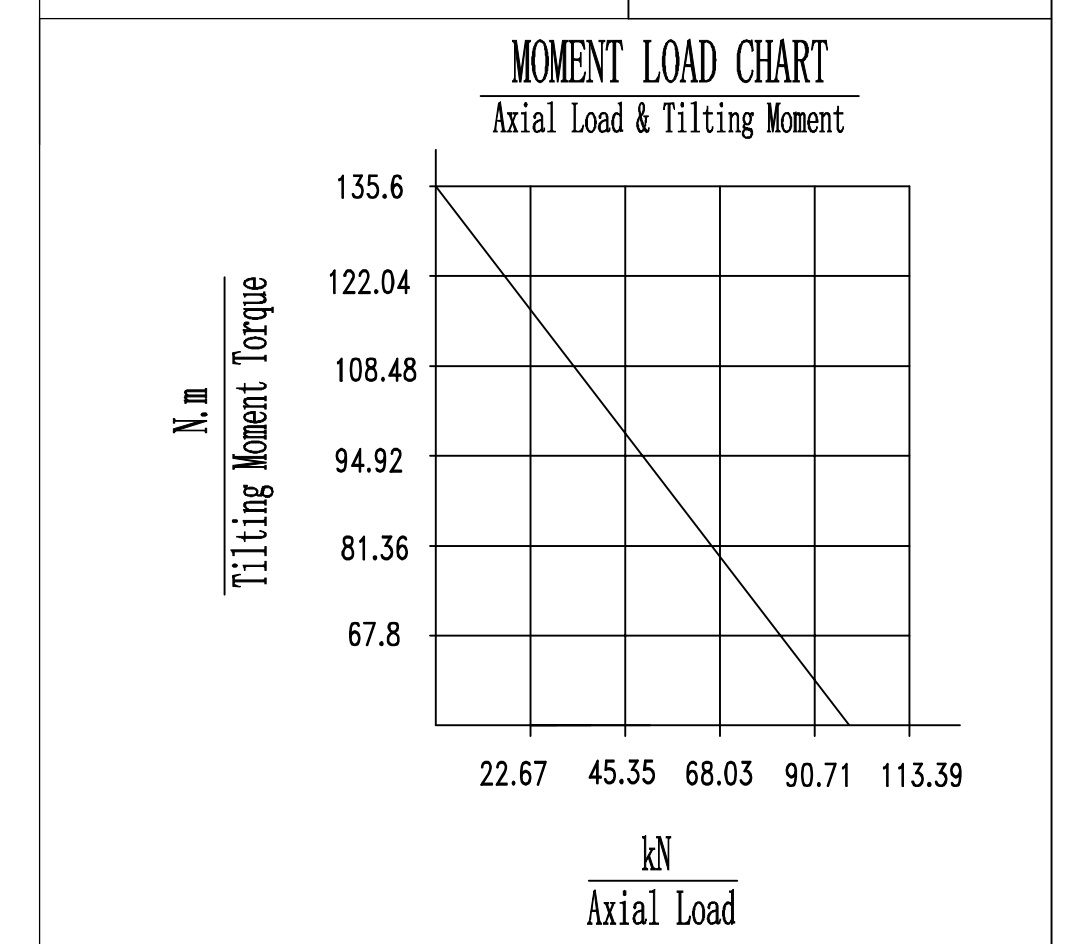
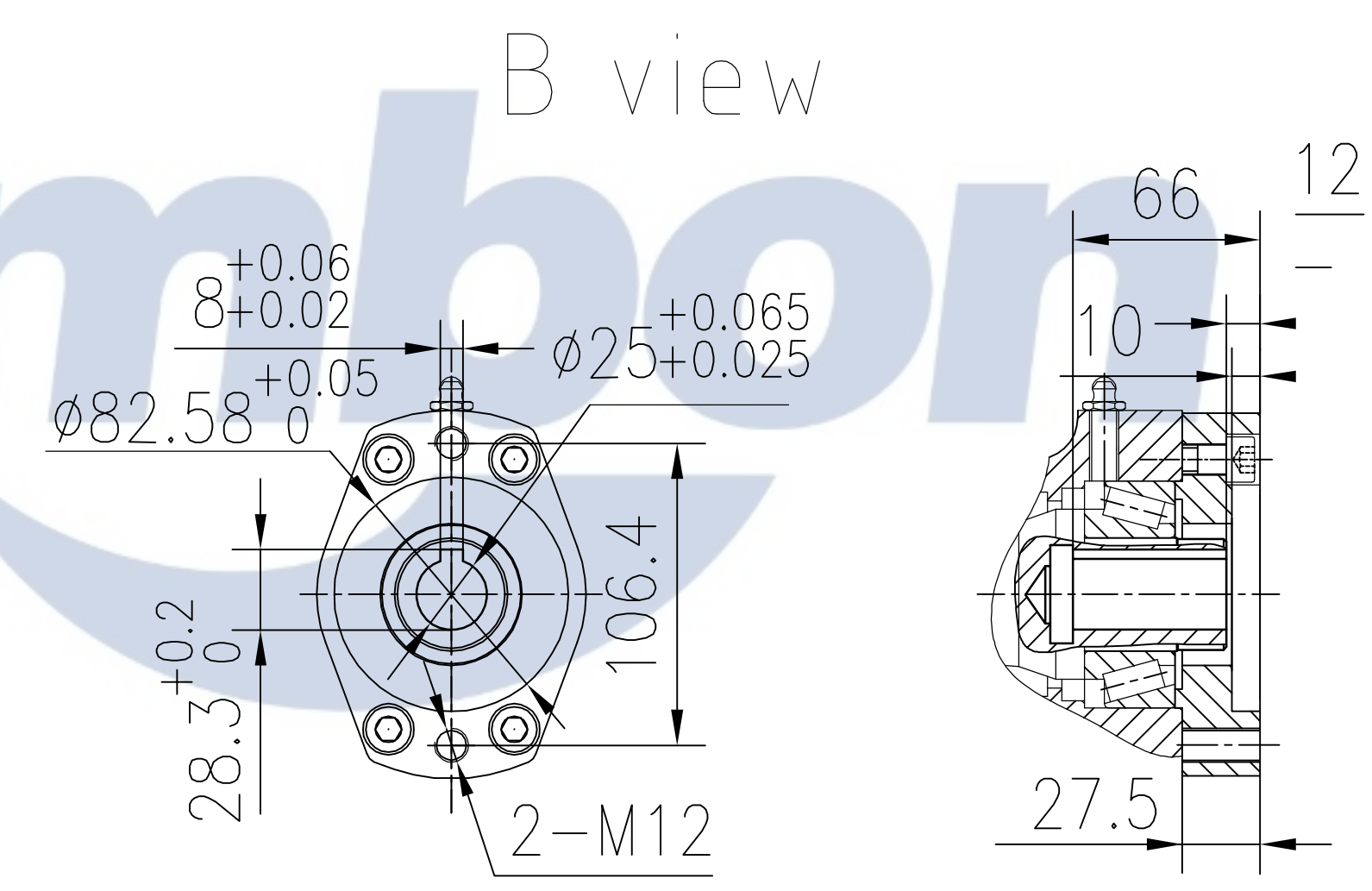
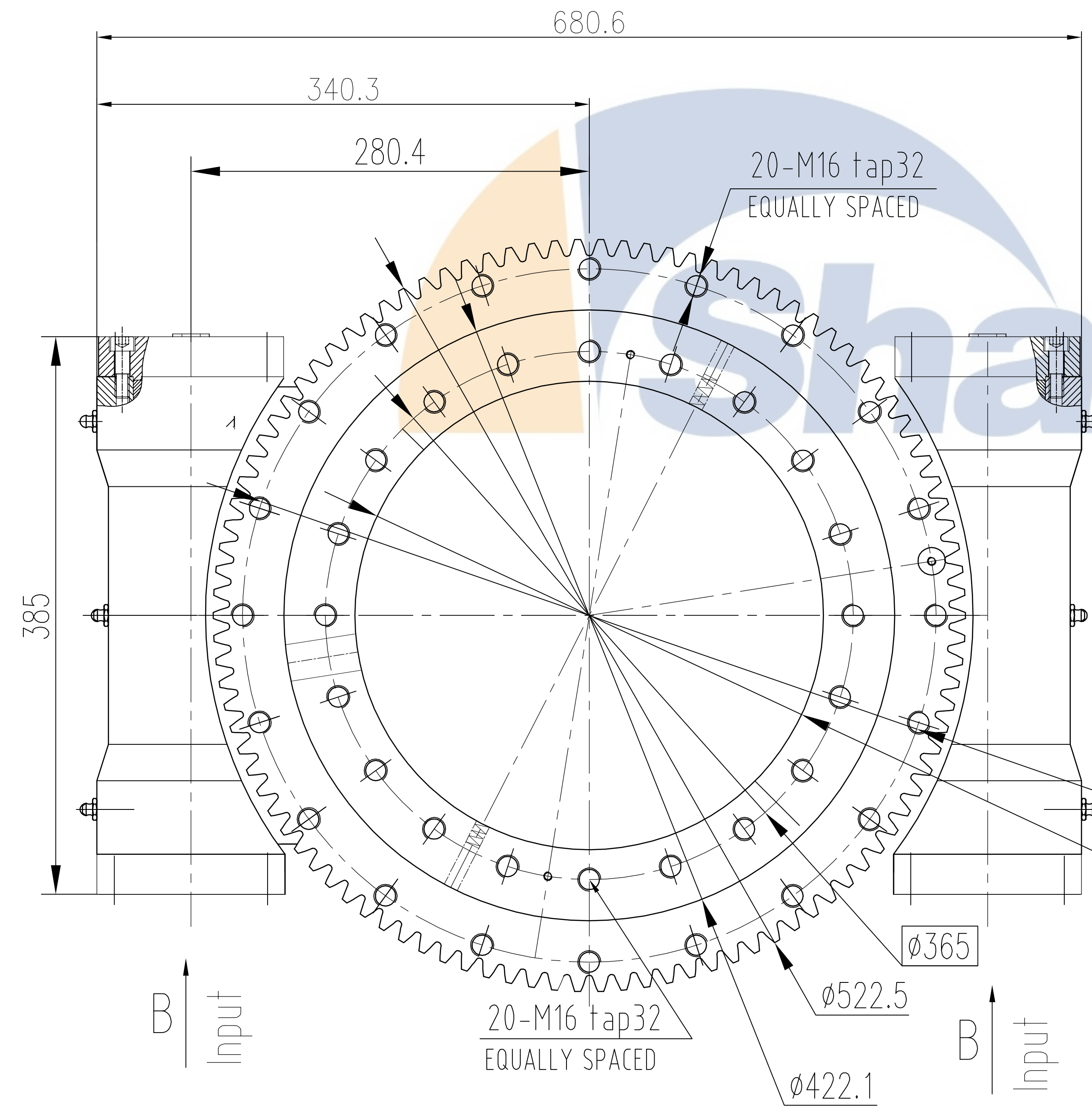


Gear Ratio	102:1
Rated Output Torque	10000 N.m
Rated Output Speed	≤ 3/rpm
Tilting Moment Torque	135.6 kN.m
Holding Torque	72.3 kN.m
Static Axial Rating	970 kN
Static Radial Rating	390 kN
Tracking Precision	≤ 0.15°
Self Locking Gears	Yes
Operating Temperature	-20 °C / +120 °C
Weight	102 kg



REV	DATE	REVISER	DESCRIPTION			
DESIGNED BY	Andrew		 Xuzhou Shambon Machinery Co., Ltd. www.xzshangbang.com	SLEWING DRIVE		
CHECKED BY	Colin					
APPROVED BY	Ivan					
<small>ALL PROPRIETARY RIGHTS IN THE SUBJECT MATTER HERE OF ARE RESERVED, AND NO PERMISSION IS GRANTED OR TO DISCLOSE REPRODUCE THIS PRINT IN WHOLE OR IN PART, ANY OF THE INFORMATION TO OTHERS.</small>			WEIGHT	SCALE	S17-102-2H-25R	REV A
SYMBOL ISO			SHEET	1/1		